

Sharkoon



TG4
ATX PC CASE

CASE VERSIONS



TG4 RGB
(4x 120 mm RGB LED Fans)

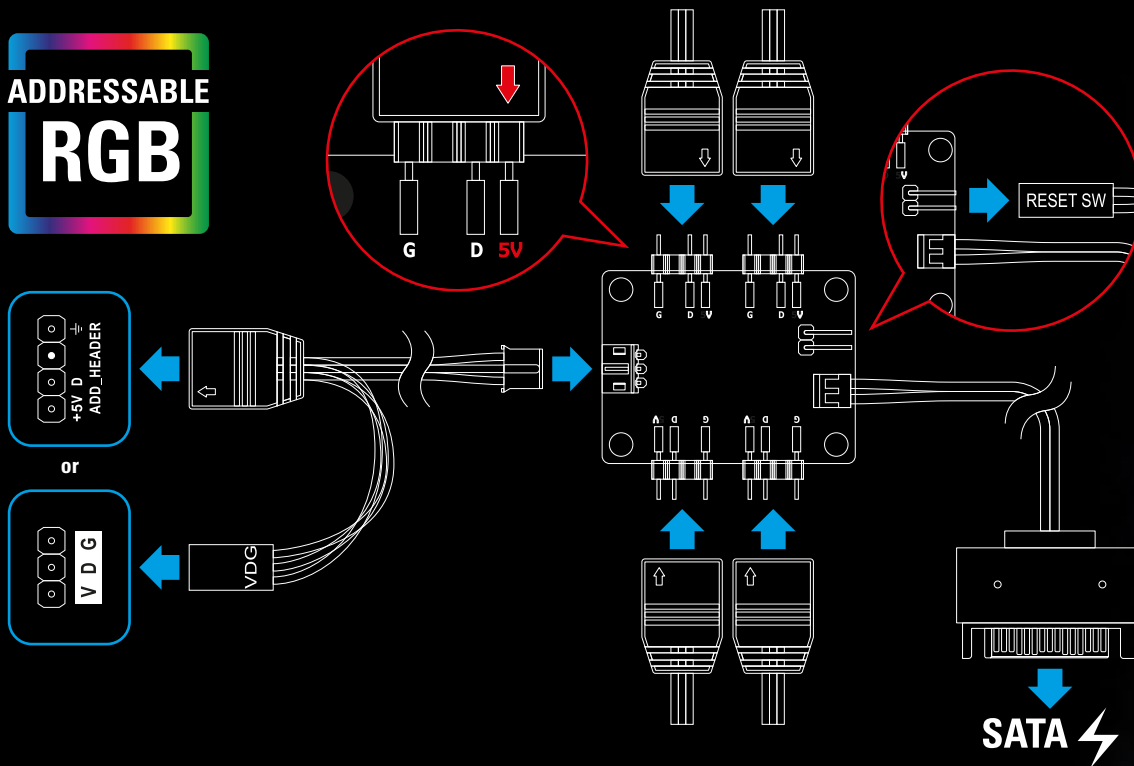


TG4 Red
(4x 120 mm LED Fans)

TG4 Blue
(4x 120 mm LED Fans)

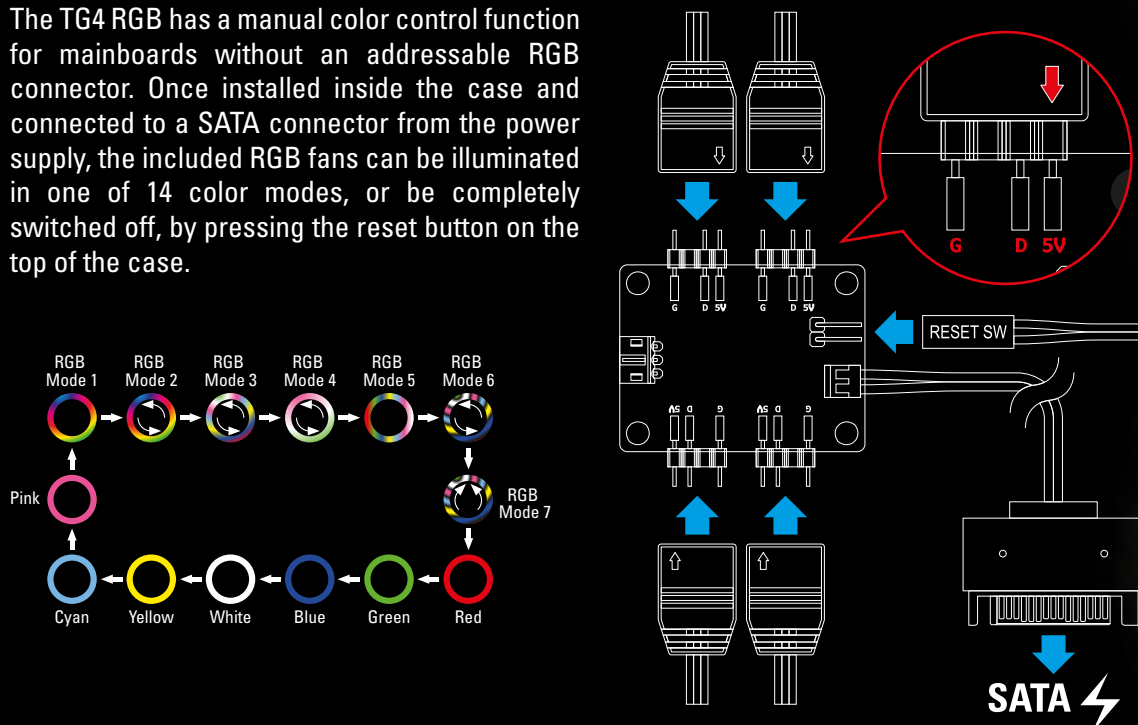
4-PORT ADDRESSABLE RGB CONTROLLER

The TG4 RGB includes a 4-port addressable RGB controller with a mainboard connector. The controller allows the pre-installed addressable RGB fans to be easily controlled and synchronized via the mainboard software. RGB components can illuminate in up to 16.8 million colors with multiple color effects.

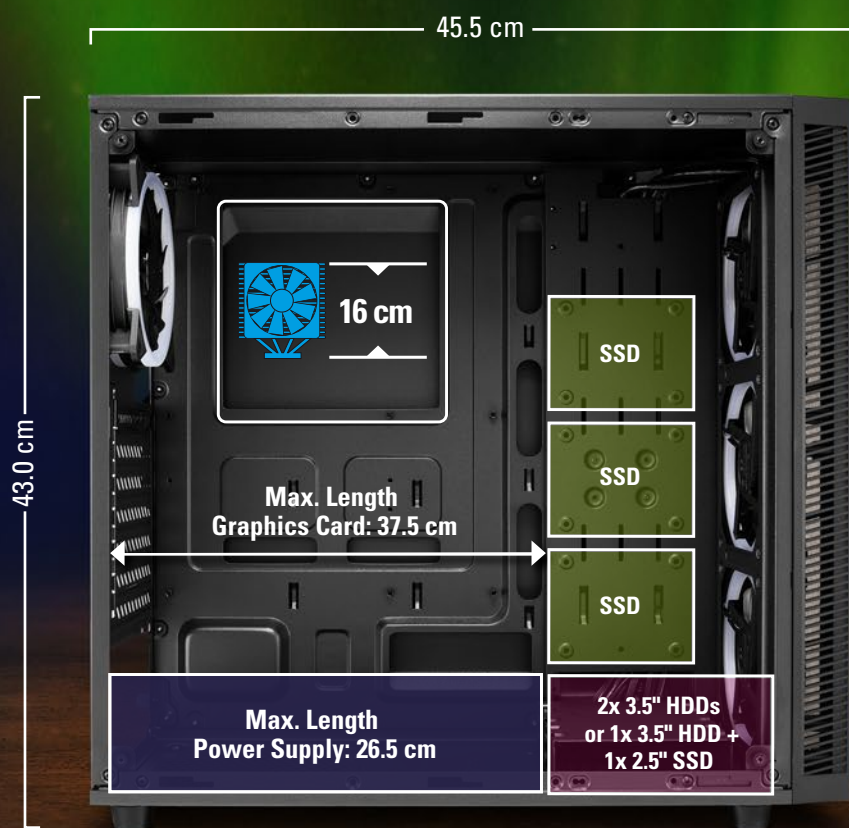


MANUAL COLOR CONTROL

The TG4 RGB has a manual color control function for mainboards without an addressable RGB connector. Once installed inside the case and connected to a SATA connector from the power supply, the included RGB fans can be illuminated in one of 14 color modes, or be completely switched off, by pressing the reset button on the top of the case.

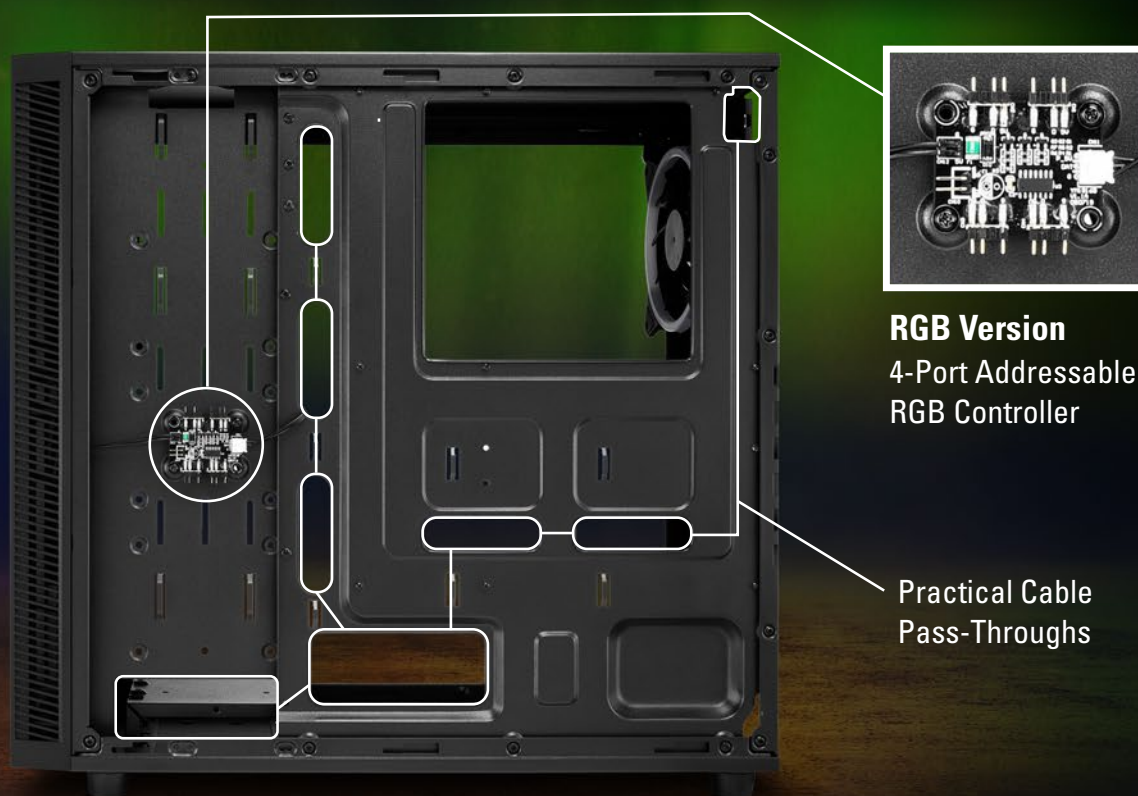


COMPACT DESIGN INSIDE



SUFFICIENT DATA STORAGE

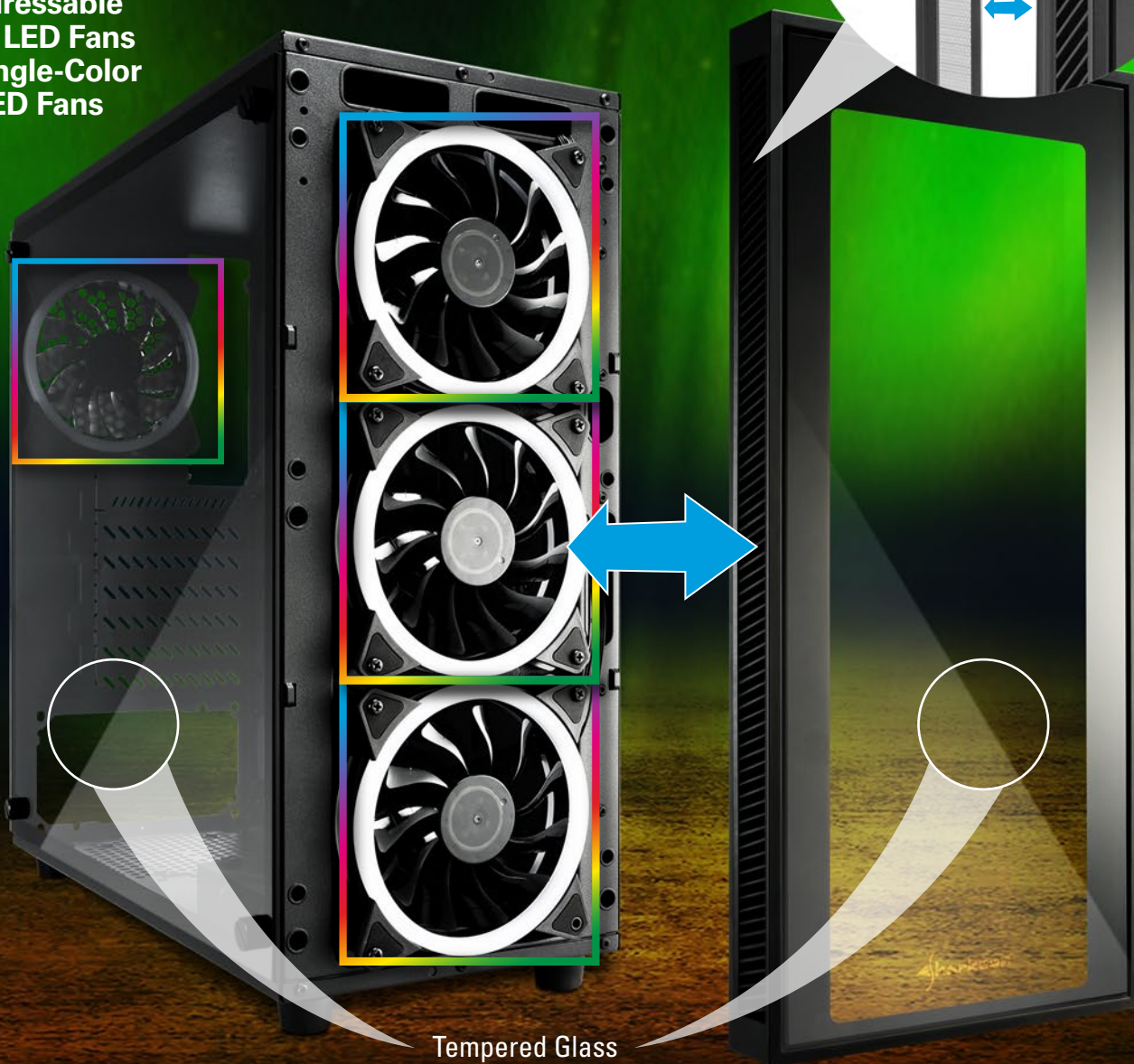
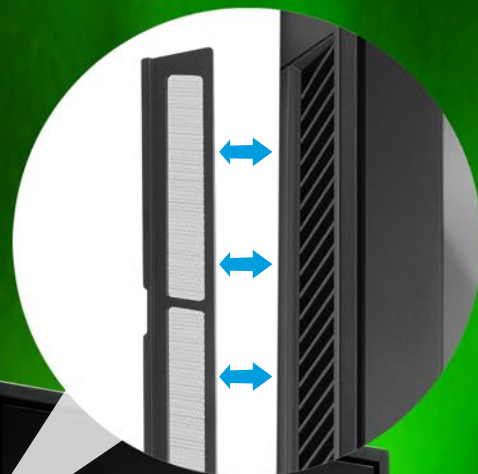
A total of three 2.5" drives can be mounted on the interior side panel behind the front fans. A 3.5" drive has room in the HDD cage on the bottom panel. Another drive can be attached onto the top of the HDD cage.



COLORFUL AND TIDY

4x
120 mm
Addressable
RGB LED Fans
or Single-Color
LED Fans

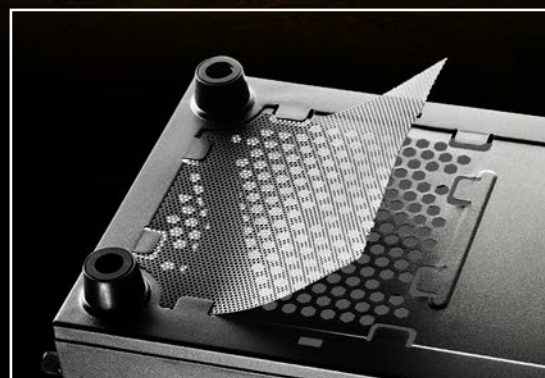
Removable Dust Filters
in Both Sides of Front Panel



Tempered Glass



Easily Accessible USB 3.0 Ports above
Front Panel



Removable Dust Filter
on the Bottom Panel

SPECIFICATIONS

TG4 ATX PC CASE

General:

- Form Factor: ATX
- Expansion Slots: 6
- Interior Painting: ✓
- Cable Management System: ✓
- Tempered Glass Side Panel: ✓
- Chassis Color: Black
- Available Versions: RGB, Red, Blue
- Weight: 5.3 kg
- Dimensions (L x W x H): 45.5 x 20.0 x 43.0 cm

I/O:

- USB 3.0 (Top): 2
- Audio (Top): ✓

Max. Drive Bays:

- 3.5": 2
- 2.5": 4

Fan Configuration:

- Front Panel: 3x 120 mm RGB LED Fans (TG4 RGB)
3x 120 mm LED Fans (TG4 Red/ Blue)
- Rear Panel: 1x 120 mm RGB LED Fan (TG4 RGB)
1x 120 mm LED Fan (TG4 Red/ Blue)

Compatibility:

- Mainboard: Mini-ITX, Micro-ATX, ATX
- Max. Length Graphics Cards: 37.5 cm
- Max. Height CPU Cooler: 16 cm
- Max. Length Power Supply: 26.5 cm

Package Contents: TG4, Accessory Set, Manual, 4-Port Addressable RGB Controller (RGB version only)

Shipment Box

Packing Unit: 1
Dimensions (L x W x H): 480 x 260 x 515 mm
Weight: 6.3 kg
Customs Tariff No.: 84733080
Country of Origin: China



TG4 RGB



TG4 Blue



TG4 Red

