

The Sharkoon logo is positioned at the top center of the image. It features a stylized white shark fin icon to the left of the brand name "Sharkoon", which is written in a white, bold, sans-serif font. The background of the entire image is a dark, industrial setting with glowing orange and yellow light sources, possibly molten metal or machinery, creating a dramatic and high-tech atmosphere.

Sharkoon



**PURESTEEL**  
ATX PC CASE

# CASE VERSIONS



# PURESTEEL

ATX PC CASE

# MADE FOR MODDING

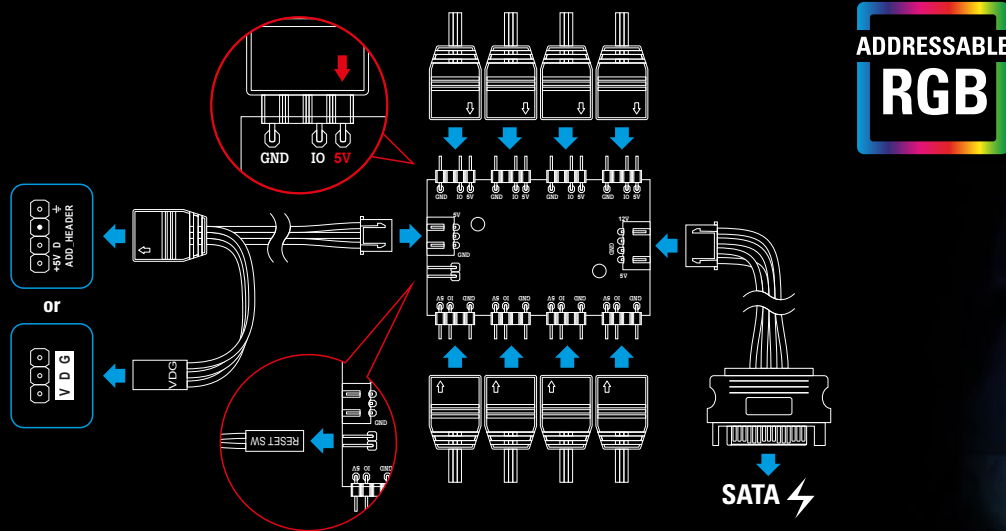


## IT'S SHOW TIME

The front panel has a completely minimalist design, drawing the focus to the installed components behind the tempered glass side panel. The side of the case thus becomes the actual front of the case and the stage for presenting the installed hardware. For those wishing to put their setup into a frame of creativity, the minimalist design of the casing also serves as a blank canvass for a variety of modding ideas. An ideal foundation for works of art is provided by the steel surface in black or white.

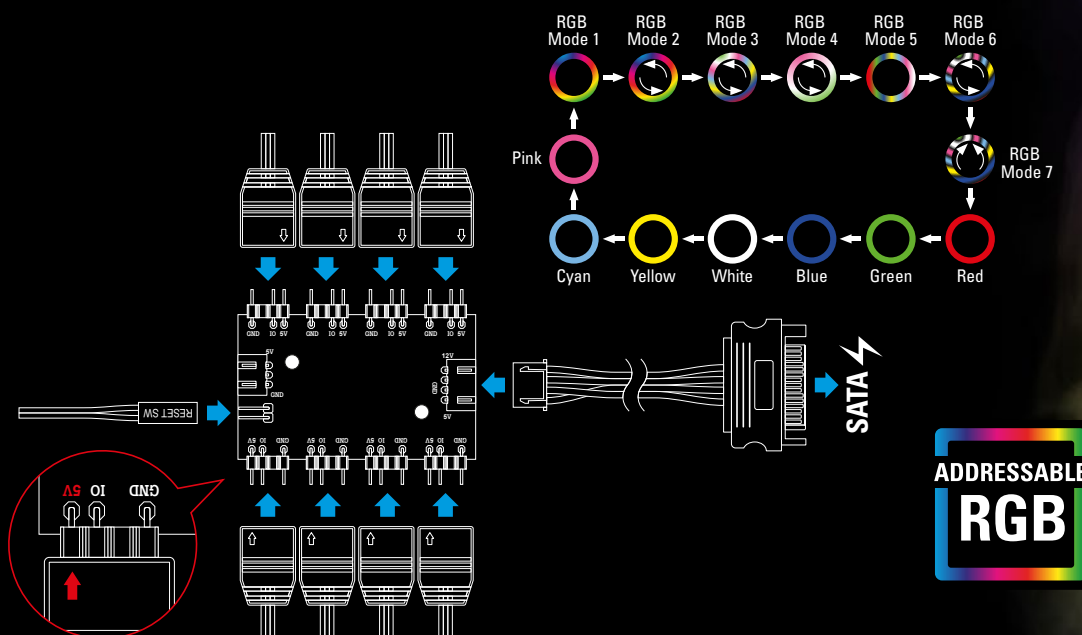
# 8-PORT ADDRESSABLE RGB CONTROLLER

The PURE STEEL RGB and White RGB is supplied with an 8-Port Addressable RGB Controller for digitally addressable LEDs. With compatible mainboards, this will function as a hub for up to eight addressable LED components which, via the mainboard software, will illuminate in up to 16.8 million colors.

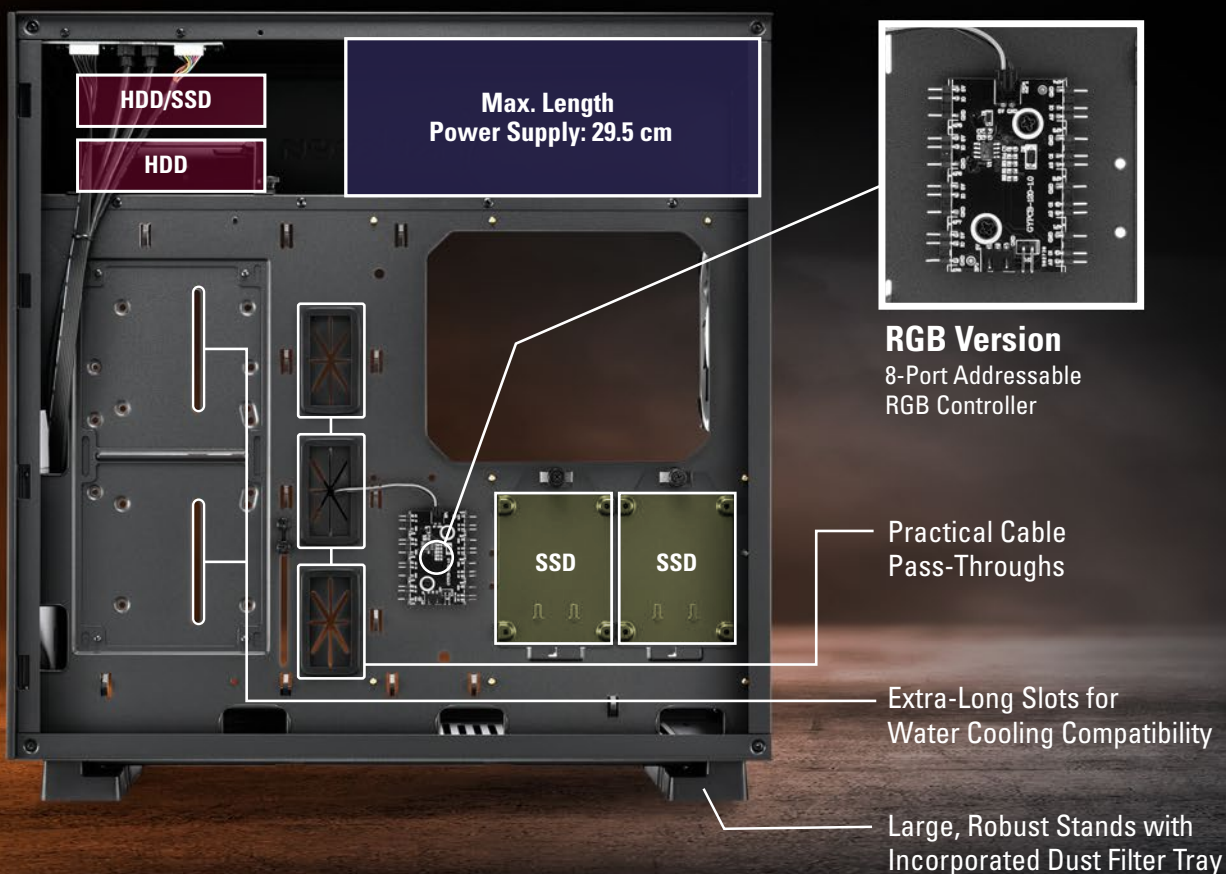
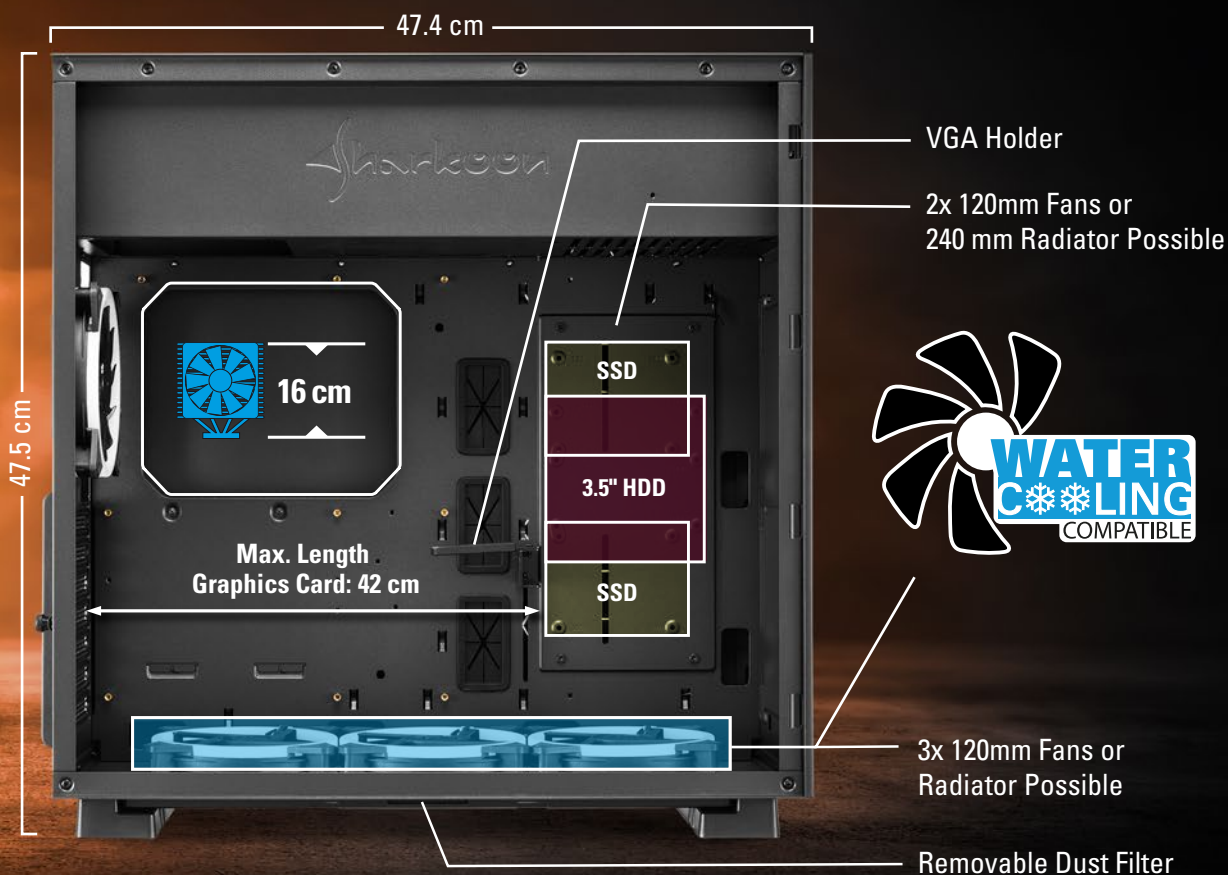


## MANUAL COLOR CONTROL

For mainboards without headers for addressable RGB illumination, up to eight addressable LED components can be directly illuminated and controlled by the Addressable RGB Controller. The pre-installed controller can be connected to the reset switch on top of the case and the compatible LED components will be lit in any one of 14 color and effect modes. The reset switch is used to select the different modes or to switch the illumination off or on.



# CLEARING THE STAGE FOR HIGH-END HARDWARE



# DIVERSE AIRFLOW SETUPS

The PURE STEEL has enough room for your desired airflow with six installation possibilities for fans or two radiators. Thanks to the tempered glass side panel and the power supply tunnel, which is situated in the top of the case, all the installed components can be optimally presented - whether it's the illuminated RAM or even the fan of the power supply.



## PURE STEEL RGB PURE STEEL WHITE RGB

- **Bottom Panel:**  
3x 120 mm RGB LED Fans
- **Rear Panel:**  
1x 120 mm RGB LED Fan



## PURE STEEL Black PURE STEEL White

- **Bottom Panel:**  
1x 120 mm Fan
- **Rear Panel:**  
1x 120 mm Fan

# SPECIFICATIONS

## General:

■ Form Factor:	ATX, E-ATX
■ Expansion Slots:	7
■ Side Panel Tempered Glass:	✓
■ Interior Painting:	✓
■ Cable Management System:	✓
■ VGA Holder:	✓
■ Dimensions (L x W x H):	47.4 x 21.0 x 47.5 cm

## I/O:

■ USB 3.0 (Top):	2
■ Audio (Top):	✓

## Max. Drive Bays:

■ 3.5":	3
■ 2.5":	5

## Package Contents:

- PURE STEEL
- Accessory Set
- Manual
- 8-Port Addressable RGB Controller (RGB versions only)

## Fan Configuration:

■ Side Panel:	2x 120 mm Fans (Optional) *
■ Rear Panel:	PURE STEEL RGB: 1x 120 mm RGB LED Fan PURE STEEL White RGB: 1x 120 mm RGB LED Fan PURE STEEL Black: 1x 120 mm Fan PURE STEEL White: 1x 120 mm Fan
■ Bottom Panel:	PURE STEEL RGB: 3x 120 mm RGB LED Fans PURE STEEL White RGB: 3x 120 mm RGB LED Fans PURE STEEL Black: 1x 120 mm Fan PURE STEEL White: 1x 120 mm Fan

## Compatibility:

■ Mainboard:	Mini-ITX, Micro-ATX, ATX, E-ATX, SSI CEB, SSI EEB
■ Max. Length Graphics Card:	42 cm ***
■ Max. Height CPU Cooler:	16 cm
■ Max. Length Power Supply:	29.5 cm
■ Radiators (Optional):	Up to 240 mm (Side Panel)* Up to 360 mm (Bottom Panel)**

\* If HDD/SSD mounting cover is removed.

\*\* Internal USB 3.0 connection to mainboard may conflict with space for radiator. Check before installation.

\*\*\* 30 cm if radiator is installed on side panel.



 Sharkoon

[www.sharkoon.com](http://www.sharkoon.com)