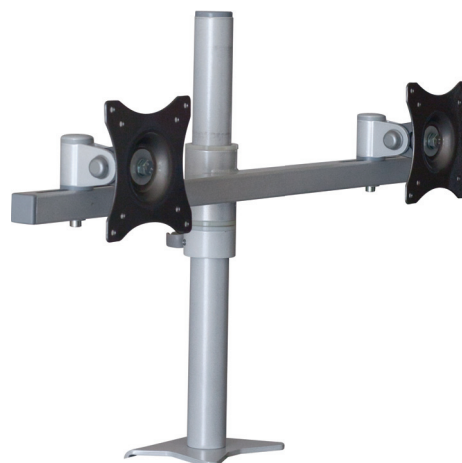


SV05 ■ Double LCD Desk Mount 19"-26"



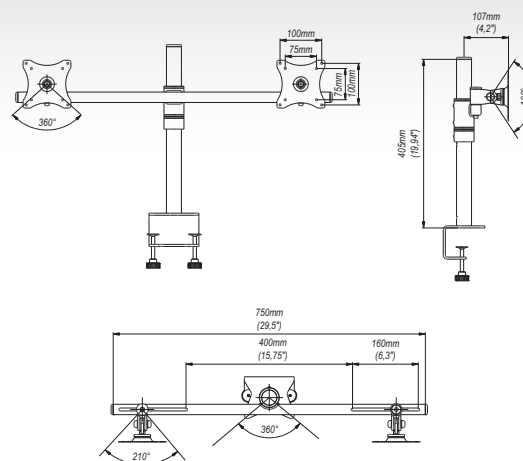
Features

- 1 **ADJUSTABLE POSITION**
vertical and horizontal with 360° rotation
- 2 **QUICK INSTALLATION**
easy installation of the product
- 3 **MOUNTING OPTION**
2 fixture types included



Technical Data

75x75 mm 100x100 mm	19"-26"	210°	min. 75x75 mm max. 100x100 mm
20 Kg	160°	360°	



Accessories

Series GDA



Series SVA



Trade Information

Index	Colour	Package	EAN
SV05c-B	■	■	5908252960521
SV05s-B	■	■	5908252960538

Package Dimensions [mm] (H x W x D) **650x210x160**

Weight [Kg] **4.9**