



## 28-Port Gigabit Web Smart Switch with 4 10GbE SFP+ Ports

GS-5424LX

### FEATURES

- 24 Gigabit Ethernet ports and 4x10GbE SFP+ uplink ports
- Dual firmware image for robust failover mechanisms to reduce switch downtime
- Supports 6KV lightning surge protection to avoid the damage of the switch and connected devices
- IP Surveillance VLAN and Voice VLAN to enhance video and voice quality
- DHCP snooping to protect the integrity of the legitimate DHCP server and its operations
- Supports SNMP v1/v2c/v3, Access Control List (ACL), QoS, CoS, STP, 802.1Q VLAN, IPv4/IPv6, Port Trunking, IGMP v1/v2/v3 Snooping, Port Mirroring and more
- Supports 128Gbps switching capacity, 95.2Mpps forwarding rate, 16K MAC address table and 12KB jumbo frame
- Rack-mount design, rack-mount kit included

### OVERVIEW

The EDIMAX Pro GS-5424LX is a web-smart switch with 24 Gigabit and 4x10 Gigabit SFP+ uplink ports for long-range optical connections. The 10GbE connectivity fully utilizes the power of your office networking for bandwidth demanding tasks, such as data backup, video conferencing, IP surveillance, high volume transaction processing, large file transferring and more. Designed for medium to large network environments, its standard 19-inch 1U rack-mount brackets allow for integration with most widely used mounting systems on the market. The EDIMAX Pro GS-5424LX is a superb choice to boost your network environment's performance and efficiency.

With smart layer 2 management features such as SNMP v1/v2c/v3, Dual Firmware, Access Control List (ACL), DHCP Snooping, QoS, CoS, STP, 802.1Q VLAN, IPv4/IPv6, Port Trunking, IGMP v1/v2/v3 Snooping and Port Mirroring, the EDIMAX Pro GS-5424LX smart switch provides a reliable, scalable and secure switch solution for enterprise and SMB networks.

### No More Uplink Bottleneck with 4 x 10GbE SFP+ Ports

Equipped with 24 GbE ports for high-speed connections and 4x10GbE SFP+ ports for up to 40Gbps speed and long range fiber-optic uplinking capability, the GS-5424LX can easily deploy in multiple physical locations, such as branches, retails, or remote workgroup environment for larger network access. The 10GbE SFP+ uplink removes the network bottleneck and gets all the connectivity you need to your devices without congestion.

### Stable and Reliable Network with Dual Firmware

The dual firmware feature allows switches to have two firmware stored. You can set up and implement an active and a backup firmware. If the current firmware faces problems, you can activate the backup firmware right away to reduce downtime.

### Safety and Cost Saving with 6KV Surge Protection

Built-in 6kV surge protection helps protect the switch against the sudden power damages to itself and its connected devices from the likes of lightning strikes or unstable electrical current, for safety and cost saving from decreased maintenance, repairs or replacement.

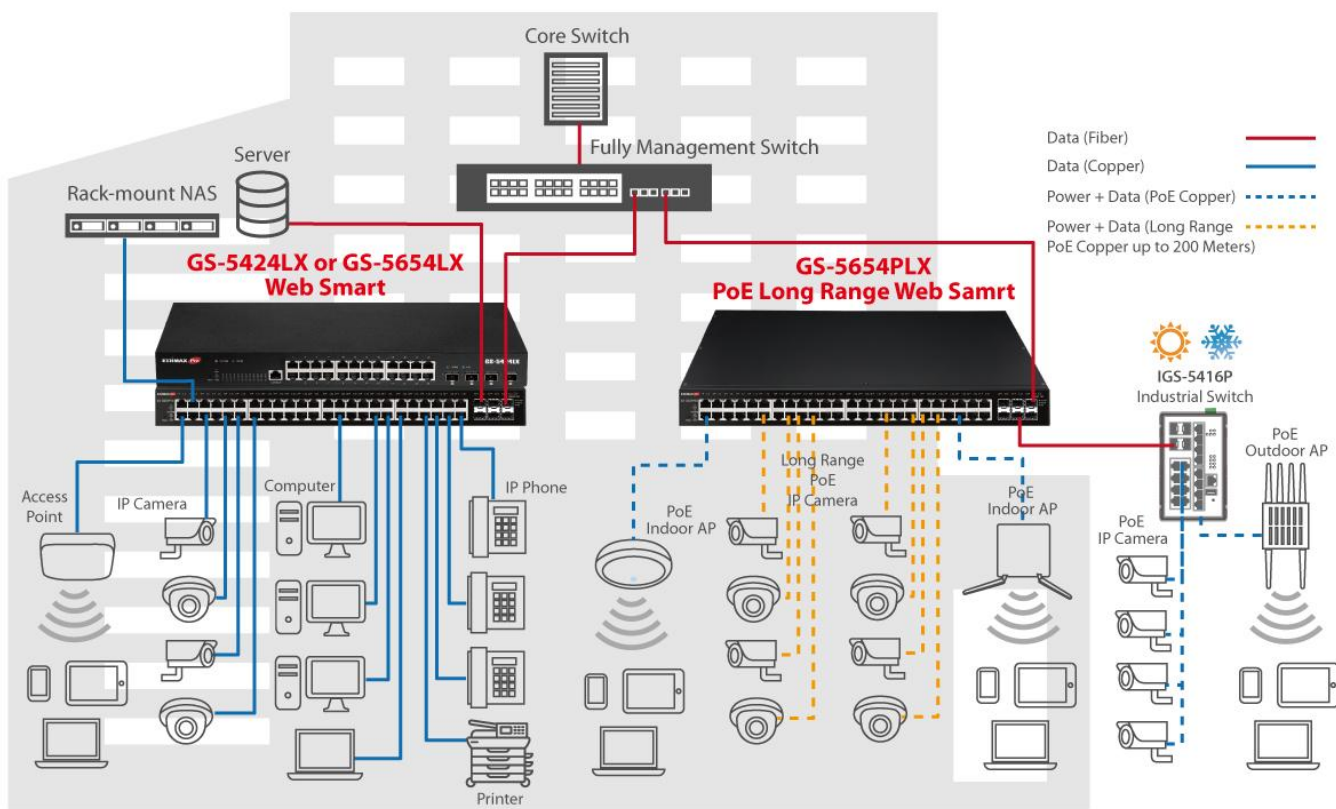
**Strong Data Switching Capability with 128Gbps Backplane Bandwidth**

With 128Gbps backplane bandwidth, the GS-5424LX has a strong switching capability for sending data to the destination devices at ultra-high speed. It supports a forwarding rate of 95.2Mpps (64-byte package size), utilizing the maximum available bandwidth without delay.

**Intuitive and Powerful Smart Layer 2 Management**

The GS-5424LX is designed for small-and-medium business (SMB) and enterprise networks that require smart layer 2 network management. This web smart switch meets the network growing need by providing advanced essential features such as SNMP v1/v2c/v3, Access Control List (ACL), QoS, CoS, STP, 802.1Q VLAN, Link Aggregation, Broadcast Storm Control, Loop Detection/Prevention, IPv4/IPv6, Port Trunking, Port Mirroring and more. Further optimizing the performance of business networks. Experience fast and easy operations with just a few simple clicks through the user-friendly web-based management utility, your network is ready to use with ease.

**APPLICATION DIAGRAM**



## SPECIFICATIONS

HARDWARE	
Ports	24 x RJ45 10/100/1000Base-T Gigabit ports 4 x SFP+ 10GBase-X10 Gigabit uplink ports 1 x RJ45 Console port with console cable
Buttons	Reset button
LED Indicators	Per Port: Link/Act Per Unit: Alert, SYS (System), PWR (Power)
Power Input	100-240V AC, 50-60Hz, internal power supply
Mounting	Desktop / Rack-mount (Rack-mount kit included)
Housing	Metal
Fan	Fanless
Others	Intelligent Thermal Controller
Dimensions	441 (W) x 198 (D) x 45 (H) mm 17.36 (W) x 7.80 (D) x 1.77 (H) inches
Weight	2.44kg (5.37lb)

PERFORMANCE	
Switching Capacity	128Gbps
MAC Address	16K
Jumbo Frame	12KB
Buffer Memory	12Mb
Transmission Method	Store and forward
Filtering/Forwarding Rates	Max. 95.2Mpps (64-byte package size) 10Gbps port - 14,880,000pps 1000Mbps port - 1,488,000pps 100Mbps port - 148,800pps 10Mbps port - 14,880pps

OTHERS	
Standard	<ul style="list-style-type: none"> <li>IEEE 802.3 10BaseT Ethernet</li> <li>IEEE 802.3u 100BaseTX Fast Ethernet</li> <li>IEEE 802.3ab 1000BaseT Gigabit Ethernet</li> <li>IEEE802.3ae 10GBase-X 10 Gigabit Ethernet</li> <li>IEEE 802.3z 1000BaseSX/LX</li> <li>IEEE 802.3x Full-duplex and flow control</li> <li>IEEE 802.1p Quality of Service (QoS)</li> <li>IEEE 802.1x Port-based Network Access Control (PNAC)</li> <li>IEEE 802.1Q Virtual LANs VLANs</li> <li>IEEE 802.1d Spanning Tree Protocol (STP)</li> <li>IEEE 802.1s Multiple Spanning Tree Protocol (MSTP)</li> <li>IEEE 802.1w Rapid Spanning Tree Protocol (RSTP)</li> <li>IEEE 802.1AB Link Layer Discovery Protocol (LLDP), LLDP-MED (Media Endpoint Discovery)</li> <li>IEEE 802.3ad Link Aggregation Control Protocol (LACP)</li> <li>IEEE 802.3az Energy Efficient Ethernet</li> </ul>
Environmental Condition	Temperature: <ul style="list-style-type: none"> <li>Operating: 0~50°C (32~122°F)</li> <li>Storage: -40~70°C (-40~158°F)</li> </ul> Humidity: <ul style="list-style-type: none"> <li>Operating: 10~90% (NonCondensing)</li> <li>Storage: 10~90% (NonCondensing)</li> </ul>
Certifications	FCC, CE, BSMI

SMART FEATURES	
Quality of Service (QoS)	<ul style="list-style-type: none"> <li>Rate limiting on packets sent and received by an interface</li> <li>8 queues on each port</li> <li>WRR, SP, WRR+SP queue scheduling algorithms</li> <li>Re-marking of the 802.1p priority and DSCP priority</li> <li>Rate limiting in each queue and traffic shaping on ports</li> </ul>
Class of Service (CoS)	<ul style="list-style-type: none"> <li>IEEE 802.1p class of service (SPQ, WRR)</li> <li>Port-based CoS</li> <li>IP TOS precedence</li> <li>802.1p VLAN Information based CoS</li> <li>DSCP based CoS</li> <li>TCP/UDP Based CoS</li> </ul>
Spanning Tree	<ul style="list-style-type: none"> <li>IEEE 802.1d Spanning Tree Protocol (STP)</li> <li>IEEE 802.1s Multiple Spanning Tree Protocol (MSTP)</li> <li>IEEE 802.1w Rapid Spanning Tree Protocol (RSTP)</li> </ul>
VLAN	<ul style="list-style-type: none"> <li>Up to 256 VLANs and 4096 VLAN IDs</li> <li>802.1Q tag-based VLAN</li> <li>Port-based VLAN</li> <li>Surveillance VLAN</li> <li>Voice VLAN</li> <li>MAC VLAN</li> <li>GVRP</li> </ul>
IPV6	<ul style="list-style-type: none"> <li>IPv6 over Ethernet (RFC 2464)</li> <li>Dual-stack (RFC 4213)</li> <li>ICMPv6 (RFC 4884)</li> <li>Neighbor discovery (RFC 4861)</li> <li>Auto configuration</li> <li>Static IPv6 address and prefix length</li> <li>Static IPv6 default gateway</li> <li>IPv6 duplicate address detection</li> </ul>
Port Trunk	<ul style="list-style-type: none"> <li>IEEE 802.3ad LACP Trunk-Static Trunk</li> <li>Up to 8 trunk groups</li> </ul>
IGMP Snooping	<ul style="list-style-type: none"> <li>IGMP v1/v2 /V3 snooping</li> <li>Block unknown multicast traffic</li> </ul>
Mirror	Port Mirroring Traffic Direction: <ul style="list-style-type: none"> <li>Both (Ingress and Egress)</li> <li>Ingress</li> <li>Egress</li> </ul>
Security	<ul style="list-style-type: none"> <li>RADIUS</li> <li>TACACS+</li> <li>AAA</li> <li>Management Access</li> <li>Authentication Manager</li> <li>Port Security</li> <li>Protected Port</li> <li>Broadcast Storm Control</li> <li>DoS</li> <li>Dynamic ARP Inspection</li> <li>DHCP Snooping</li> <li>IP Source Guard</li> <li>BPDU Guard</li> <li>Remote Access: HTTPS/SSH/HTTP/Telnet/Session Timeout</li> </ul>
Management	<ul style="list-style-type: none"> <li>User Interface: Web-based management</li> <li>User Account: Login account configuration</li> <li>Firmware Upgrade: Firmware upgrade by WEB</li> <li>Syslog: Support event log, alarm log and security log</li> <li>Dual-firmware image for failover mechanisms</li> <li>ACL (Access Control List)</li> <li>CLI (Command-Line Interface)</li> <li>User Account: Login account configuration</li> <li>SNMP v1/v2c/v3</li> </ul>

Maximum performance, actual data rates, and coverage will vary depending on network conditions and environmental factors. Product specifications and design are subject to change without notice.  
Copyright © 2022 Edimax Technology Co. Ltd. All rights reserved.

www.edimax.com 3