



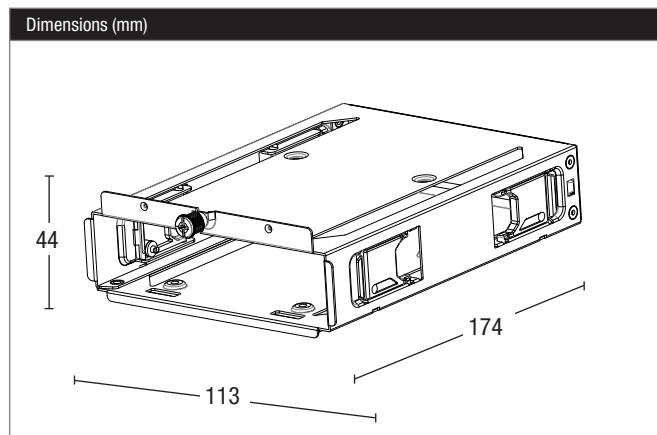
# HDD CAGE 2

## HDD cage for selected be quiet! cases

HDD cage for all who want to install their HDD professionally, easily, and securely in selected be quiet! cases.

### Highlights

- Perfect mounting for one HDD or up to 2 SSDs
- Comfortable installation of an HDD without need for screws
- Decoupled clips for minimal vibration and a silent operation
- 3 years manufacturer's warranty
- Product conception, design, and quality control in Germany
- Please check compatibility on [bequiet.com](http://bequiet.com)



Technical Data	
Article No.	BGA11
EAN code	4260052190159
Overall dimensions (L x W x H in mm)	174 x 113 x 44
Compatibility with be quiet! cases	Dark Base Pro 901

Contact	
<b>be quiet! Headquarters</b>	Service hotline: +49 40 7367 686 44
Listan GmbH Wilhelm-Bergner-Straße 11c 21509 Glinde Germany	e-mail: <a href="mailto:service@bequiet.com">service@bequiet.com</a> Visit the contact section on <a href="http://bequiet.com">bequiet.com</a> for the right regional service information.