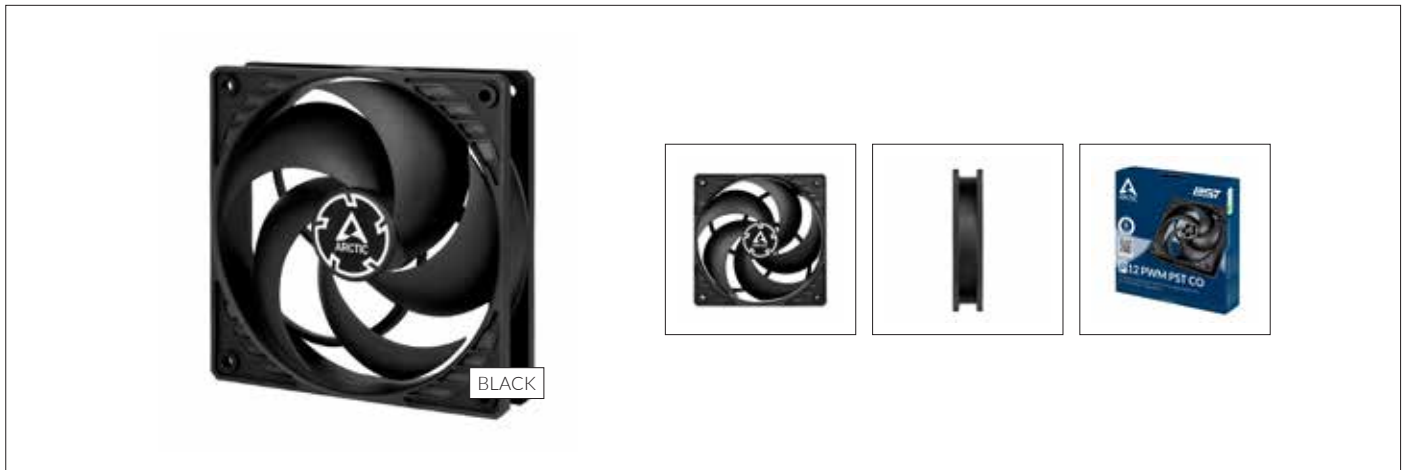


# P12 PWM PST CO

120mm PWM with PST Case Fan for Continuous Operation

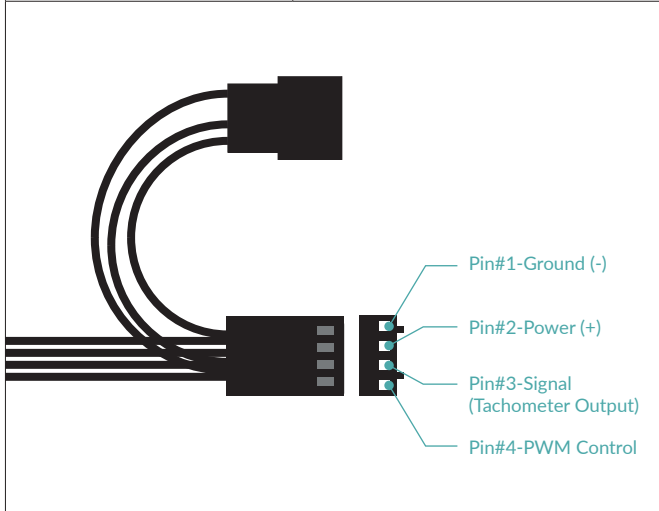


## Fan Specifications

|                               |                                   |
|-------------------------------|-----------------------------------|
| Dimensions                    | 120 (L) x 120 (W) x 25 (H) mm     |
| Weight                        | 145 g                             |
| Speed                         | 200-1800 rpm, 0 rpm <5% PWM       |
| rpm Control                   | Pulsweitenmodulation - PWM        |
| Static Pressure               | 2,20 mm H <sub>2</sub> O          |
| Airflow                       | 56.3 cfm   95.7 m <sup>3</sup> /h |
| Bearing                       | Dual Ball Bearing                 |
| Cable Length                  | 400 mm                            |
| Connector                     | 4-Pin Connector + 4-Pin Socket    |
| Current/Voltage               | 0.1 A/12 V                        |
| Starting Voltage              | 3.9 V                             |
| Noise Level                   | 0.3 Sone                          |
| Ambient Operating Temperature | 0-40 °C                           |

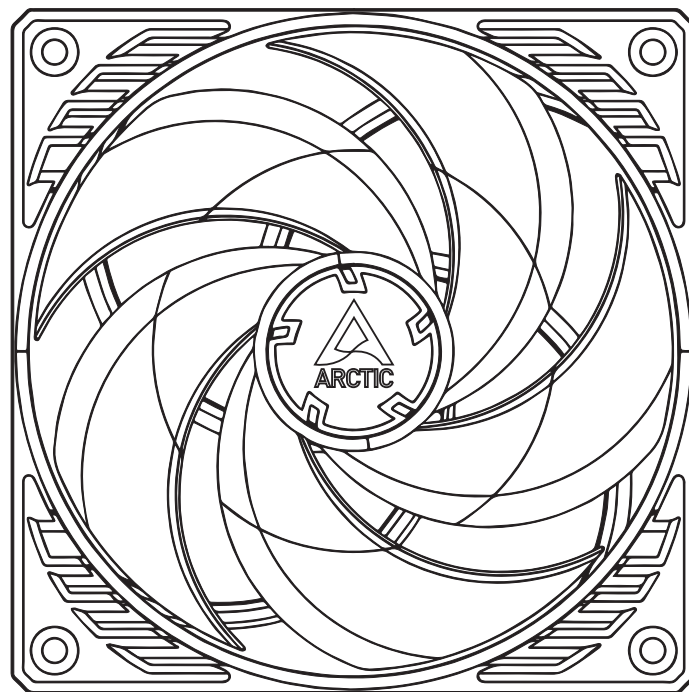
## Shipping Information Single Fan - Black

|                 |   |
|-----------------|---|
| Dimensions      | 123 (L) x 123 (W) x 27 (H) mm           |
| Weight          | 180 g                                   |
| SKU             | ACFAN00121A                             |
| EAN             | 4895213701358                           |
| UPC             | 872767009301                            |
| Package Content | P12 PWM PST CO x1<br>Mounting Screws x4 |



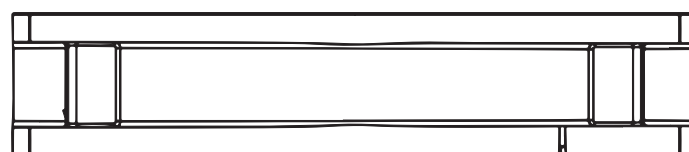
# P12 PWM PST CO

120mm PWM with PST Case Fan for Continuous Operation



120 mm

120 mm



25 mm

All materials are compatible with RoHS requirements



Product Information



Manual