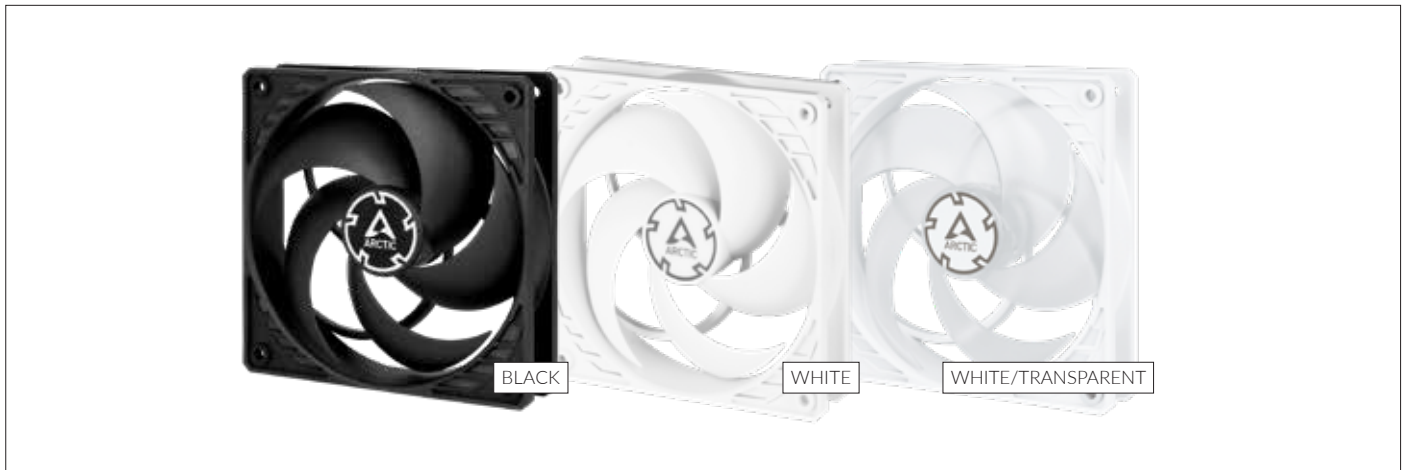


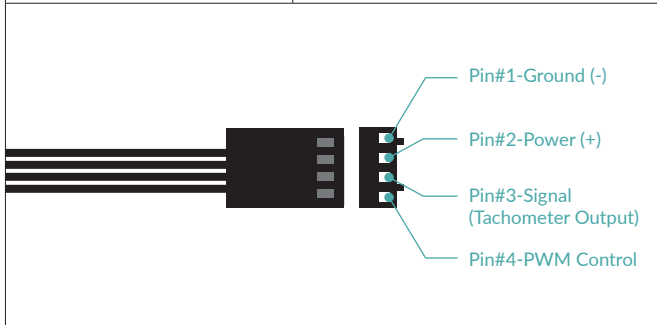
P12 PWM

120 mm PWM Case Fan



Fan Specifications

Dimensions	120 (L) x 120 (W) x 25 (H) mm
Weight	139 g
Speed	200-1800 rpm, 0 rpm <5% PWM
rpm Control	Pulsweitenmodulation - PWM
Static Pressure	2.20 mm H ₂ O
Airflow	56.3 cfm 95.7 m ³ /h
Bearing	Fluid Dynamic Bearing
Cable Length	400 mm
Connector	4-Pin Connector
Current/Voltage	0.1 A/12 V
Starting Voltage	3.9 V
Noise Level	0.3 Sone
Ambient Operating Temperature	0-40 °C



Shipping Information Single Fan - Black

Dimensions	123 (L) x 123 (W) x 27 (H) mm
Weight	170 g
SKU	ACFAN00119A
EAN	4895213701389
UPC	872767009332
Lieferumfang	P12 PWM x1 Mounting Screws x4

Shipping Information Single Fan - White

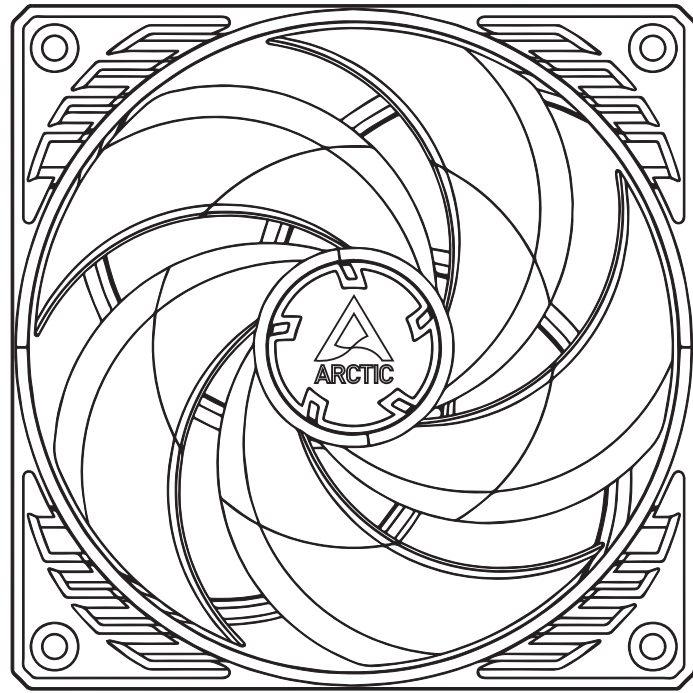
Dimensions	123 (L) x 123 (W) x 27 (H) mm
Weight	170 g
SKU	ACFAN00171A
EAN	4895213702270
UPC	840033400169
Lieferumfang	P12 PWM x1 Mounting Screws x4

Shipping Information Single Fan - White/Transparent

Dimensions	123 (L) x 123 (W) x 27 (H) mm
Weight	170 g
SKU	ACFAN00131A
EAN	4895213701402
UPC	872767009356
Lieferumfang	P12 PWM x1 Mounting Screws x4

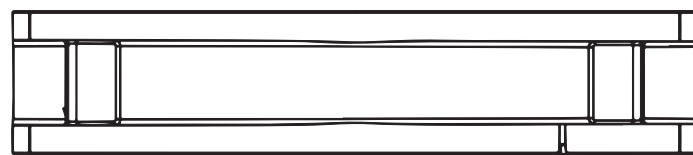
P12 PWM

120 mm PWM Case Fan



120 mm

120 mm



25 mm

All materials are compatible with RoHS requirements



Product Information



Manual